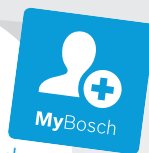




**BOSCH**

Register your  
new device on  
MyBosch now and  
get free benefits:  
[bosch-home.com/  
welcome](https://bosch-home.com/welcome)



# Rasping Attachment

**MUZ9RV1**

**[en]**

Instruction manual

Rasping attachment

---

## Intended use

**This accessory is designed for the MUM9 food processor (“OptiMUM” series). Follow the operating instructions for the food processor.**

Never use the accessory for other appliances. Only use matching parts together.

This accessory is suitable for slicing and shredding food. Food which is to be processed must not contain any hard components (e.g. bones).

The accessory must not be used for processing other objects or substances.

---

## Safety tips

### Risk of injury

- Never reach into the feed chute. Only use the pusher provided!
- Never grasp the sharp blades and edges of the shredding and slicing inserts. Only take hold of them by the rounded edge.
- The accessory must be completely assembled before use. The accessory should only be used in the intended operating position. Only use the bevel gear with the black main drive. Before attaching or removing the accessory, wait until the drive has come to a standstill and pull out the mains plug.

### Caution!

- Check that there are no foreign objects in the housing or feed chute. Do not insert objects (e.g. knives, spoons) into the feed chute or outlet opening.
- Only use the attachment with the matching bevel gear (MUZ9AD1 - not included in scope of supply).

### Important!

It is essential to clean the accessory thoroughly after each use or after it has not been used for an extended period. → *“Cleaning and maintenance” see page 10*

## Overview

Please fold out the illustrated pages.

→ Fig. A:

### 1 Slicing and shredding attachment

- a Housing with feed chute
- b Marking on housing ▼
- c Cover ring
- d Marking on cover ring
- e Drive shaft
- f Foot (height-adjustable)
- g Pusher

### 2 Inserts

- a Slicing insert, thick
- b Slicing insert, thin
- c Shredding insert, coarse
- d Shredding insert, fine

### 3 Bevel gear\*

- a Colour coding (black)
- b Locking lever
- c Release button
- d Drive for attachment

\* Special accessory

**Important:** The bevel gear is not included in the scope of supply of this accessory. The accessory should only be used with the matching bevel gear.

If you have one of the following accessories, the bevel gear supplied with them can be used:

**MUZ9HA1, MUZ9FW1** (meat mincer) or **MUZ9PP1** (pasta accessory).

A new bevel gear can be bought from a retailer or requested from Customer Service (**MUZ9AD1**).

## Before using the appliance for the first time

Before the new accessory can be used, it must be fully unpacked, cleaned and checked.

### Caution!

Never operate a damaged accessory!

- Remove all accessories from the packaging and dispose of all packing materials.
- Check that all the parts are present and examine them for obvious damage.
  - Fig. A
- Thoroughly clean and dry all parts before using for the first time.
  - "Cleaning and maintenance" see page 10

## Colour coding

The drives of the base unit each have different colours (black, yellow and red). This colour coding system can also be found on the accessories. Only use this accessory on the **black** main drive.

## Symbols and markings

Symbol	Meaning
▼ ●	Position the cover ring on marking ▼ (→ Fig. 6) and turn in an anticlockwise direction until it clicks into place (→ Fig. 7).

## Slicing and shredding inserts

Recommended speeds	
7	Slicing inserts, shredding inserts
M	Not suitable for use with this accessory!
↻	

## Slicing inserts – thick / thin

For cutting fruit and vegetables into thick or thin slices (e.g. carrots, celery, kohlrabi, potatoes, cucumbers).

**Note:** The slicing insert is not suitable for cutting hard cheese, bread, rolls or chocolate. Slice boiled potatoes only when they are cold.

## Shredding inserts – coarse / fine

For shredding vegetables, fruit and cheese (e.g. carrots, celery, potatoes, Gouda, Emmental with the coarse insert, or horseradish, nuts, Parmesan with the fine insert).

---

## Preparation

### Foot

The foot is used for various models of the base unit. The right height must be selected depending on the model.

#### → Image sequence

1. To adjust the height, hold down the button and slide the parts closer together or further apart. When doing so, make sure that the button clicks into place audibly.
2. **Short foot:**  
For models without display.
3. **Long foot:**  
For models with display.

---

## Use

### Risk of injury!

- Only ever change inserts or remove food blockages after unplugging the appliance.
- Never grasp the sharp blades and edges of the shredding and slicing inserts.
- Do not reach into the feed chute with your hands.
- Only use the pusher provided when adding food.

### Caution!

- Do not apply great force with the pusher.

**Important:** Only prepare the base unit as described in the main operating instructions.

#### → Image sequence

1. Place the bevel gear on the main black drive with the locking lever open as shown.

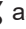
**Note:** The bevel gear can also be fitted rotated through 180° if you wish to work on the left-hand side of the appliance.

2. Rotate the bevel gear in a clockwise direction until it is securely fitted to the main drive. Fully close the locking lever to fix the bevel gear in position.
3. Position the prepared attachment on the drive of the bevel gear, holding it at an angle.
4. Rotate the attachment in an anticlockwise direction until it audibly clicks into place. The release button must protrude from the bevel gear.

### Caution!

- Check that the foot is at the right height.
  - It should not be possible to turn the attachment any further.
5. Insert the required shredding or slicing insert in the housing as shown. Turn the insert slightly until it is fully fitted to the drive shaft.

**Important:** The insert should no longer protrude from the housing.

6. Position the cover ring on marking  as shown in the figure.
7. Rotate the cover ring in an anticlockwise direction until it clicks into place.
8. Prepare your food. Chop up large parts beforehand so they fit into the feed chute without having to press them in.
9. Plug into the mains. Turn the rotary switch to the recommended speed.
10. Place a suitable container under the attachment. Add the prepared food to the feed chute.
11. Use the pusher to slide the food down, applying light pressure.

12. Once you have finished work, move the rotary switch to **O**. Wait until the drive comes to a standstill. Disconnect the mains plug.
13. Remove the pusher.
14. Rotate the cover ring in a clockwise direction and remove.
15. Remove the insert.
16. Hold down the release button and rotate the attachment in a clockwise direction until it disengages.
17. Remove the attachment.
18. Open the locking lever on the bevel gear. Rotate the bevel gear in an anticlockwise direction and remove.
  - Clean all parts directly after use.  
→ “*Cleaning and maintenance*” see page 10

**Important:** Should inserts become blocked with food during processing, switch the appliance off and unplug. Remove the insert and empty. Then resume processing from step 5.

---

## Cleaning and maintenance

The accessories used must be thoroughly cleaned after each use.

### Risk of injury!

- Never grasp the sharp blades and edges of the shredding and slicing inserts.

### Caution!

- Do not use any cleaning agents containing alcohol or spirits.
- Do not use sharp, pointed or metal objects.
- Do not use abrasive cloths or cleaning agents.
- Never clean the bevel gear under running water or put in the dishwasher.

In **Fig. D** you will find a summary of how to clean the individual parts.

### Bevel gear

- Wipe the outside of the bevel gear with a soft, damp cloth and dry off.

### Housing, foot and pusher

- Clean all plastic parts with a detergent solution and a soft cloth / sponge or place in the dishwasher.
- Allow all parts to dry.

### Inserts

- Clean inserts with a detergent solution and a soft brush.
- Allow all parts to dry.

**Note:** When processing food such as carrots, plastic parts may become discoloured. This can be removed with a few drops of cooking oil.

Changes reserved.



## Thank you for buying a Bosch Home Appliance!

Register your new device on MyBosch now and profit directly from:

- **Expert tips & tricks for your appliance**
- **Warranty extension options**
- **Discounts for accessories & spare-parts**
- **Digital manual and all appliance data at hand**
- **Easy access to Bosch Home Appliances Service**

Free and easy registration – also on mobile phones:

**[www.bosch-home.com/welcome](http://www.bosch-home.com/welcome)**

**BOSCH**  
HOME APPLIANCES  
**SERVICE**

## Looking for help? You 'll find it here.

Expert advice for your Bosch home appliances, need help with problems or a repair from Bosch experts.

Find out everything about the many ways Bosch can support you:

**[www.bosch-home.com/service](http://www.bosch-home.com/service)**

**Contact data of all countries are listed in the attached service directory.**

### **Robert Bosch Hausgeräte GmbH**

Carl-Wery-Straße 34

81739 München

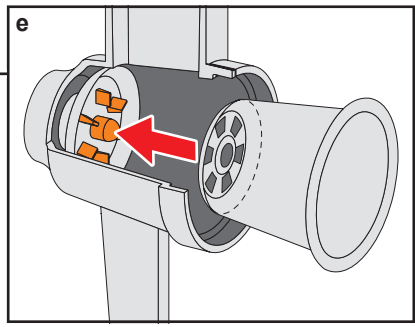
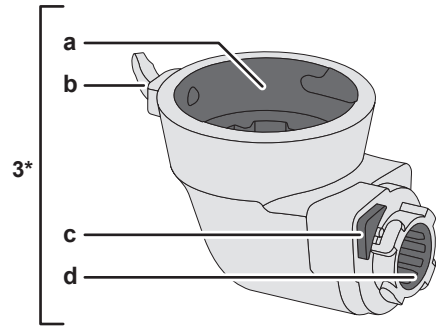
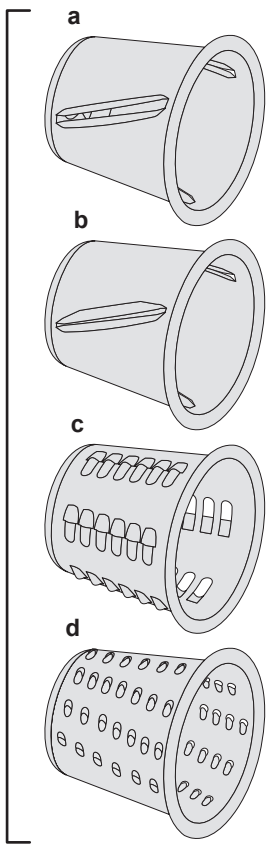
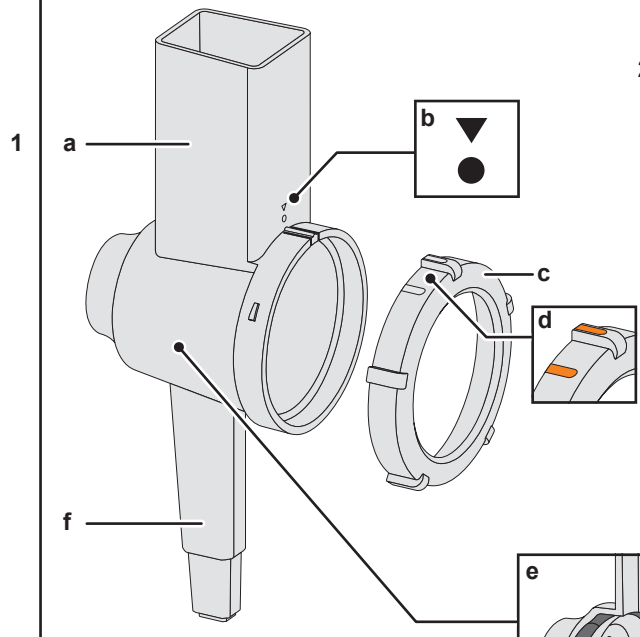
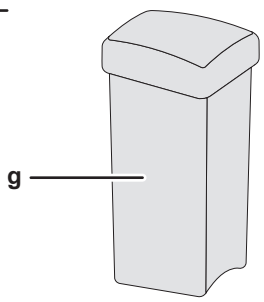
GERMANY

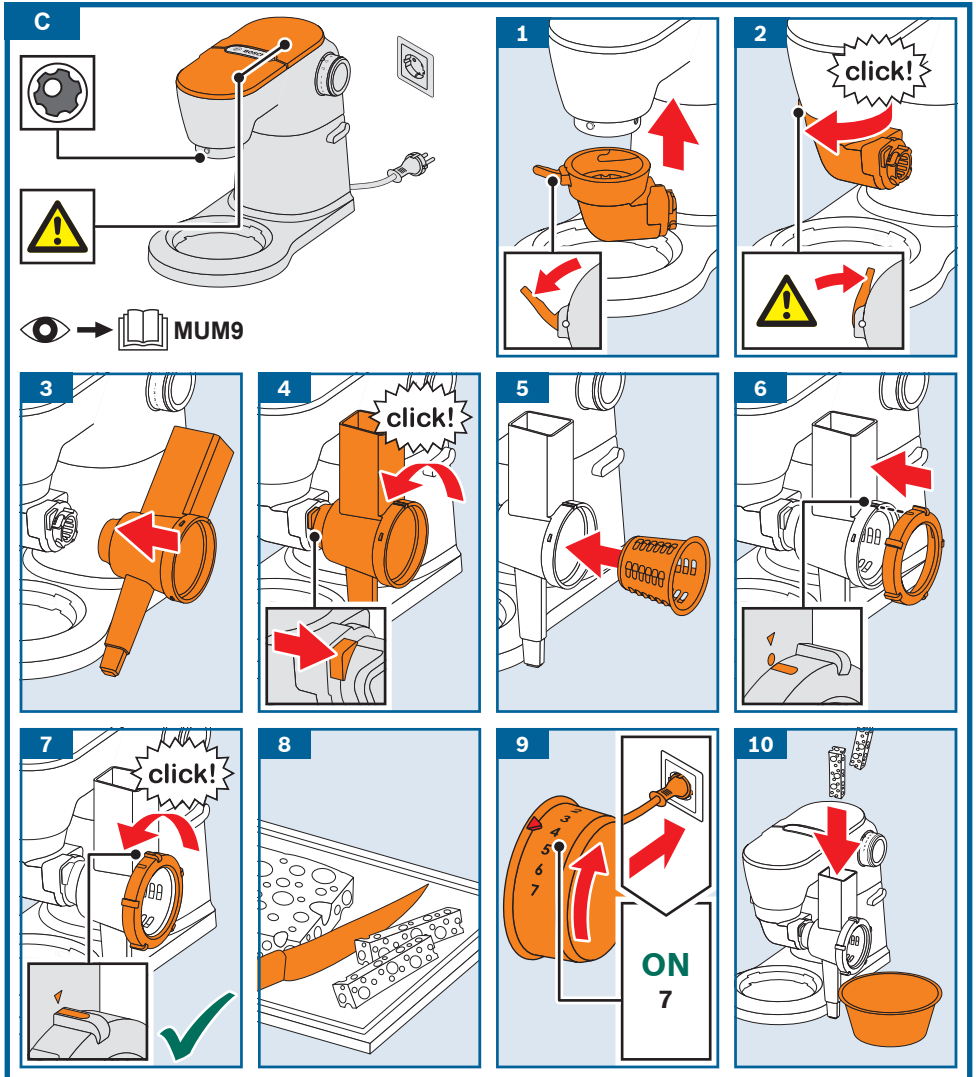
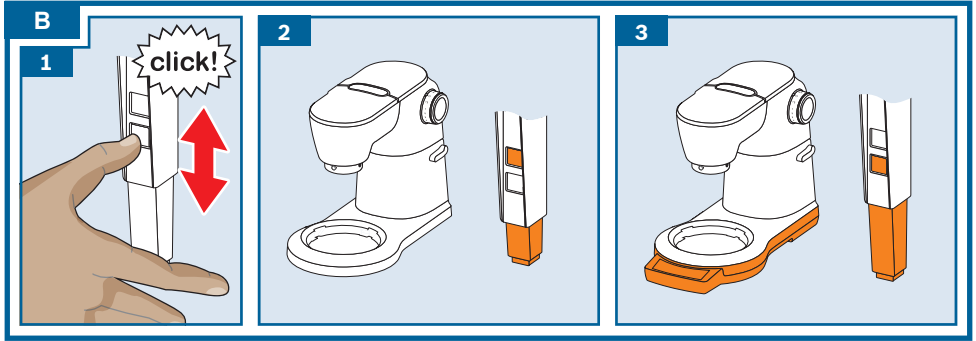
**[www.bosch-home.com](http://www.bosch-home.com)**



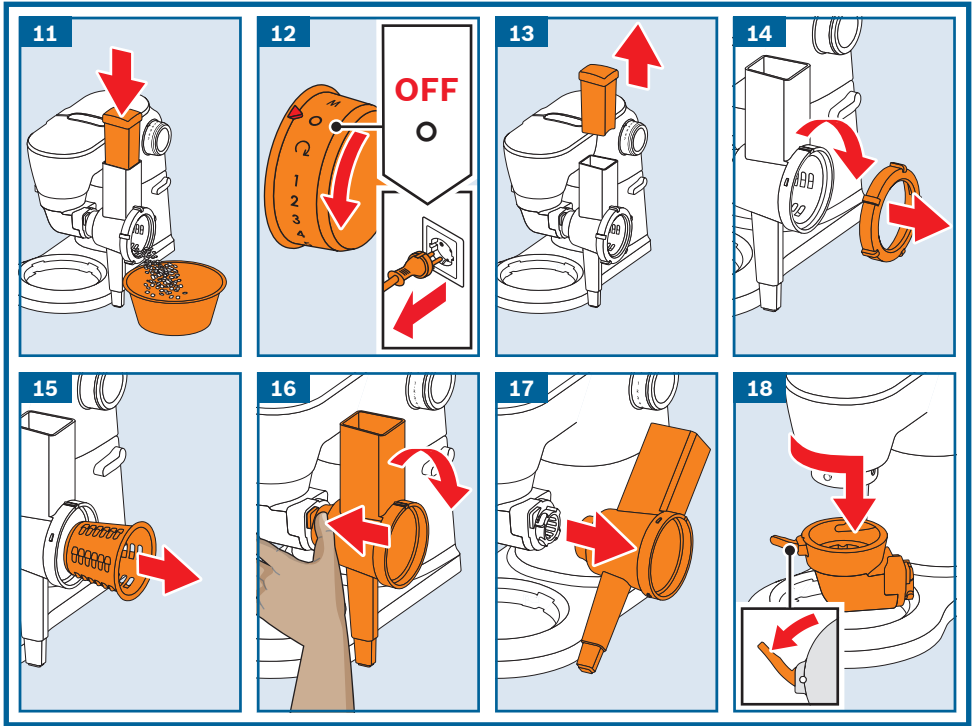
**8001110990 (9803)**

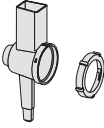
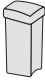
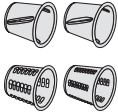




**A**









D				
	✓	✓	X	✓
	✓	✓	✓	⚠ X
	✓	✓	X	⚠ X