



**BOSCH**



Register your  
new device on  
MyBosch now and  
get free benefits:  
[bosch-home.com/  
welcome](https://bosch-home.com/welcome)

# Grain Mill

**MUZ9GM1**

[en]

Information for Use

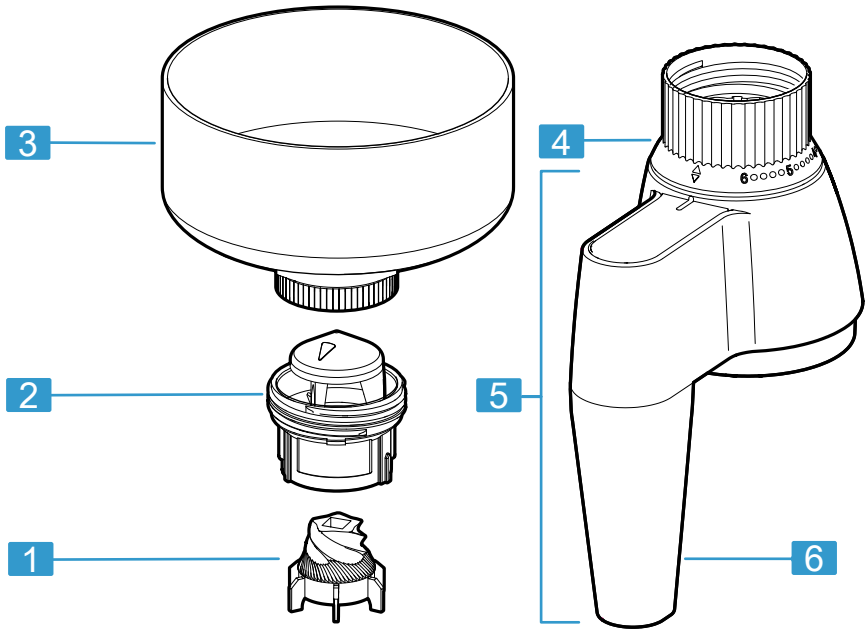
Grinding mill



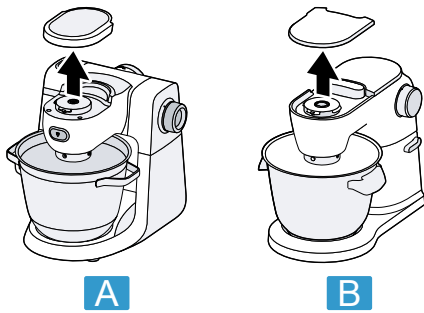
<https://digitalguide.bsh-group.com?mat-no=8001216905>



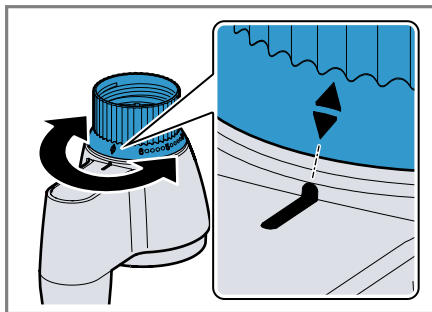
**[en]** Scan the QR code or visit the website to open the Further Notices for Use. You can find additional information about your appliance or accessory here.



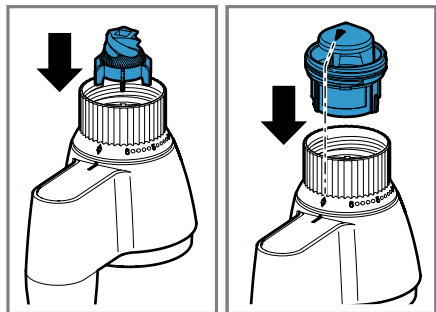
1



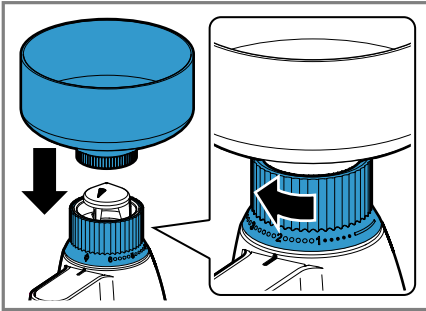
2



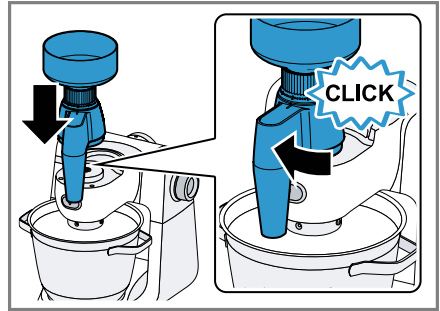
3



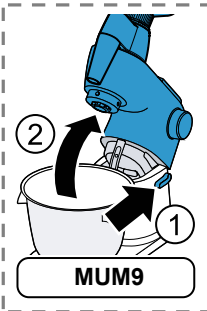
4



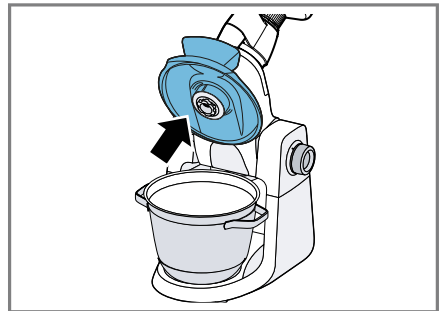
5



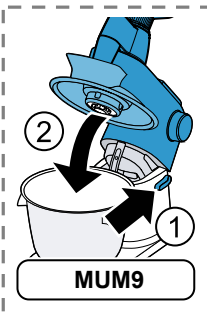
6



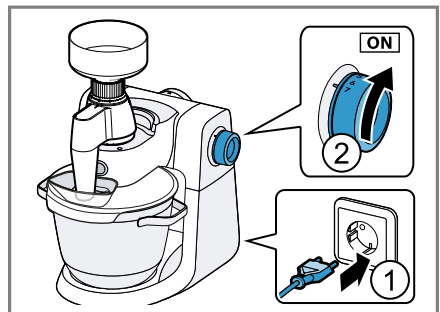
7



8



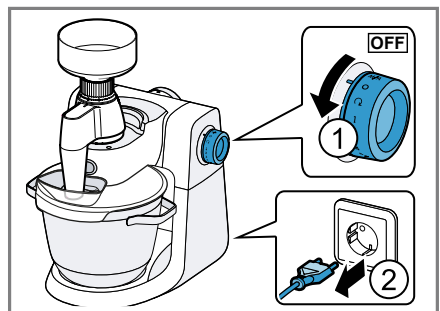
9



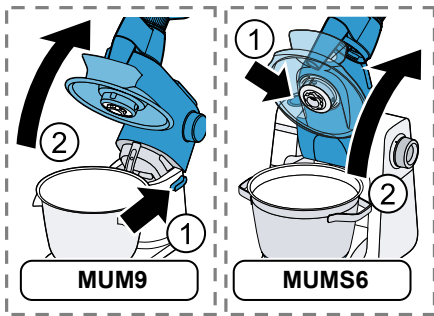
10



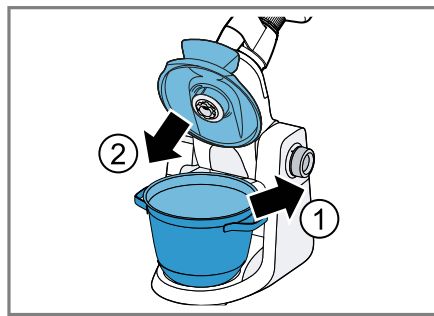
11



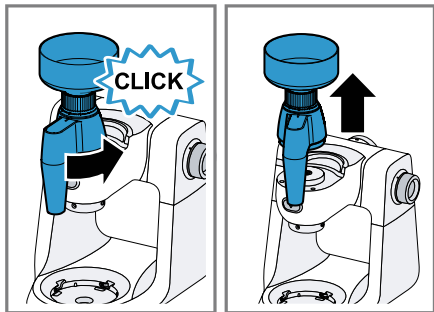
12



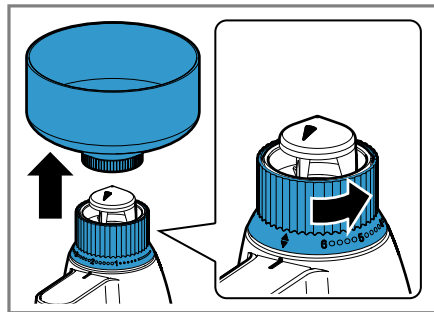
13



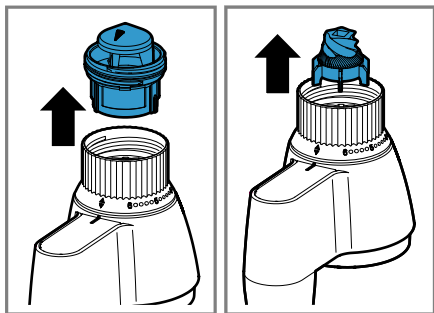
14










15



16



17

					
	✓	✓	✓	✓	✓
	✓	✗	✗	✗	✗

## Safety

- Read this instruction manual carefully.
- Observe the instructions for the main unit.

Only use the accessories:

- with a kitchen machine from the same series MUMS6, MUM9.
- with genuine parts and accessories.
- for grinding wheat, rye, buckwheat, husk-free barley, husk-free oats, millet, spelt and rice.
- ▶ Do not reach into the filling shaft.
- ▶ Never assemble the accessories on the main unit.
- ▶ Only attach and remove accessories once the drive has stopped and the appliance has been unplugged.
- ▶ The accessories should only be used in the intended operating position.

### Avoiding material damage

- ▶ Set up the appliance at a sufficient distance from walls, easily damaged surfaces and other appliances.
- ▶ Do not insert objects into the filling shaft or housing, e.g. wooden spoons.
- ▶ Never use the appliance to grind corn, poppy seeds, soya beans or coffee beans.
- ▶ Never operate the appliance at no-load.

### Overview

→ Fig. **1**

<b>1</b>	Grinding cone
<b>2</b>	Grinding ring
<b>3</b>	Filling container
<b>4</b>	Setting ring
<b>5</b>	Housing with setting ring
<b>6</b>	Discharge chute

### Overview of main units

This accessory can be used with different main units.

You can prepare your kitchen machine as shown.

→ Fig. **2**

---

**A** Kitchen machine from the MUMS6 series

---

**B** Food processor from the MUM9 series

---

### Using the accessories

Follow the illustrated instructions.

#### Assembling the accessory

**Note:** To insert the grinding ring properly, make sure that the arrow marked on the grinding ring points to the markings on the setting ring and housing.

→ Fig. **3** - **5**

#### Attaching the accessory to the main unit

→ Fig. **6** - **9**

#### Grinding grain

##### Notes

- You can set the grinding level by turning the setting ring before or even during the grinding process. For a coarser grinding level, turn the setting ring anticlockwise. For a finer grinding level, turn the setting ring clockwise.
- Please note that the grain to be processed must be dry and without stones.

## **en** Cleaning the appliance and parts

- Observe the maximum processing quantity of 750 g. The markings on the filling container are for guidance and relate to wheat.
- To prevent overloading the appliance, grind max. 2 kg in one grinding process. Afterwards, leave the appliance to cool down for at least one hour.

→ Fig. **10** - **11**

### **After using the appliance**

→ Fig. **12** - **17**

## **Cleaning the appliance and parts**

- ▶ Clean the individual parts as indicated in the table.  
→ Fig. **18**

## **Troubleshooting**

### **The grain mill is not working.**

The grain mill is not assembled correctly.

- ▶ Check whether the grain mill has been assembled correctly.

An installed predetermined breaking point protects the drive from damage. The agitator paddle on the underside of the housing will break at the predetermined breaking point if there are foreign objects in the grinder or if damp grain is ground.

- ▶ To replace the agitator paddle, re-order from customer service quoting order number 10018359.

### **The grinding result is not how you want.**

The setting ring is not set to the grinding level required.

- ▶ Set the grinding level required by turning the setting ring.





## Thank you for buying a Bosch Home Appliance!

Register your new device on MyBosch now and profit directly from:

- **Expert tips & tricks for your appliance**
- **Warranty extension options**
- **Discounts for accessories & spare-parts**
- **Digital manual and all appliance data at hand**
- **Easy access to Bosch Home Appliances Service**

Free and easy registration – also on mobile phones:

**[www.bosch-home.com/welcome](http://www.bosch-home.com/welcome)**

**BOSCH**  
HOME APPLIANCES  
**SERVICE**

## Looking for help? You'll find it here.

Expert advice for your Bosch home appliances, help with problems or a repair from Bosch experts.

Find out everything about the many ways Bosch can support you:

**[www.bosch-home.com/service](http://www.bosch-home.com/service)**

Contact data of all countries are listed in the attached service directory.

### **BSH Hausgeräte GmbH**

Carl-Wery-Straße 34  
81739 München, GERMANY  
[www.bosch-home.com](http://www.bosch-home.com)

A Bosch Company



**8001292275** (030714)

de, en, fr, it, nl, da, no, sv, fi, es, pt, el, tr, pl, uk, ru, ar

Valid within Great Britain:  
Imported to Great Britain by  
BSH Home Appliances Ltd.  
Grand Union House  
Old Wolverton Road  
Wolverton, Milton Keynes  
MK12 5PT  
United Kingdom