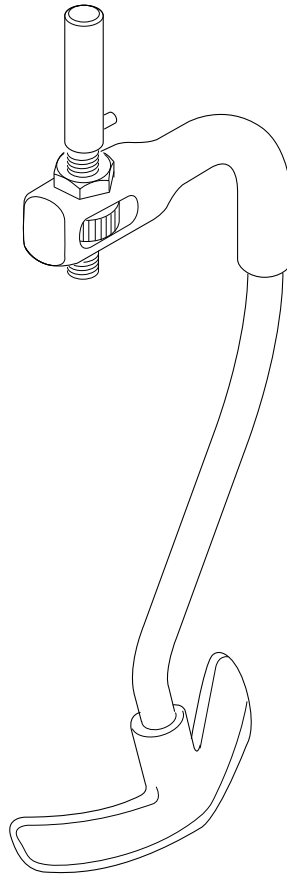


KAT90.000ME

instructions
istruzioni
instrucciones
Bedienungsanleitungen
gebruiksaanwijzing
Instrukcja obsługi
instruções



Kenwood Ltd

New Lane
Havant
Hampshire
PO9 2NH

kenwoodworld.com

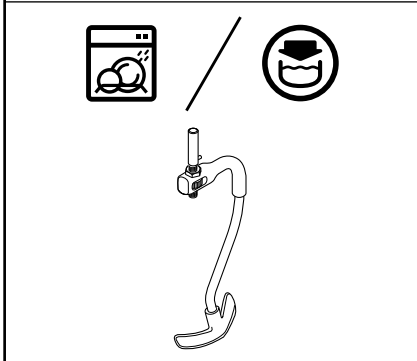
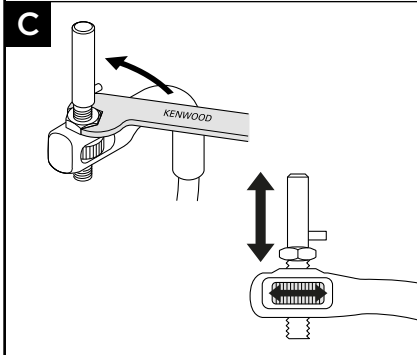
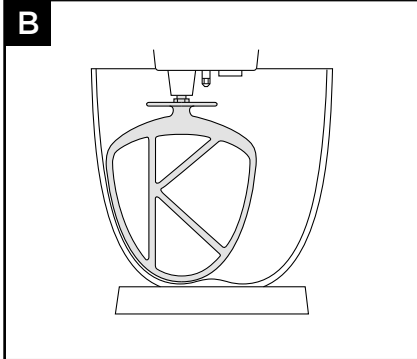
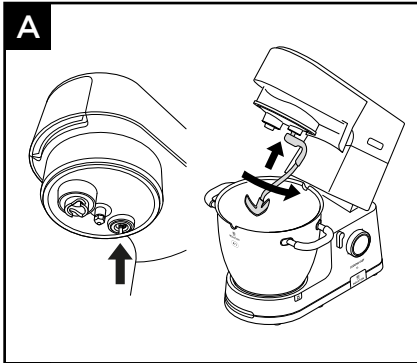


© Copyright 2020
Kenwood Limited.
All rights reserved

5720002083/1



English



The KAT90 Stir Tool is designed for use with the Cooking Chef bowl on models TYPE KCC90 and KCL95.

For safety advice, general usage and cleaning information refer to your main Cooking Chef instruction manual.

A - To fit the stir tool

B - C - To adjust the tool

This tool should just touch the bottom of the bowl.

- 1 Unplug the appliance.
- 2 Raise the mixer head and insert the stir tool.
- 3 Lower the mixer head. If the tool needs adjustment, raise the mixer head and use the spanner to loosen the nut, then lower the mixer head.
- 4 To lower the tool closer to the bottom of the bowl, turn the adjustment wheel clockwise. To raise the tool away from the bottom of the bowl, turn the adjustment wheel anticlockwise.
- 5 Re-tighten the nut.

Service and Customer Care

For Service and Customer Care information refer to your main Cooking Chef manual or visit www.kenwoodworld.com.

- Designed and engineered by Kenwood in the UK.
- Made in China.

-