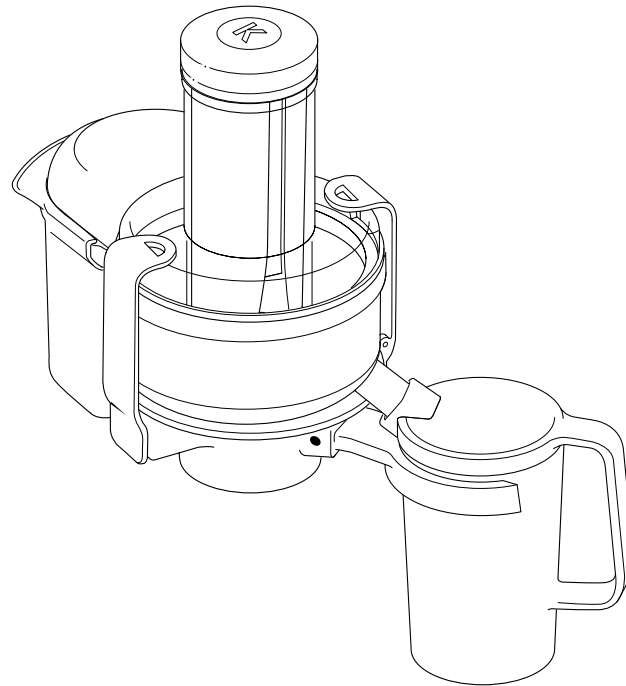


KENWOOD

English

AT641

instructions



Kenwood Ltd

New Lane
Havant
Hampshire
PO9 2NH

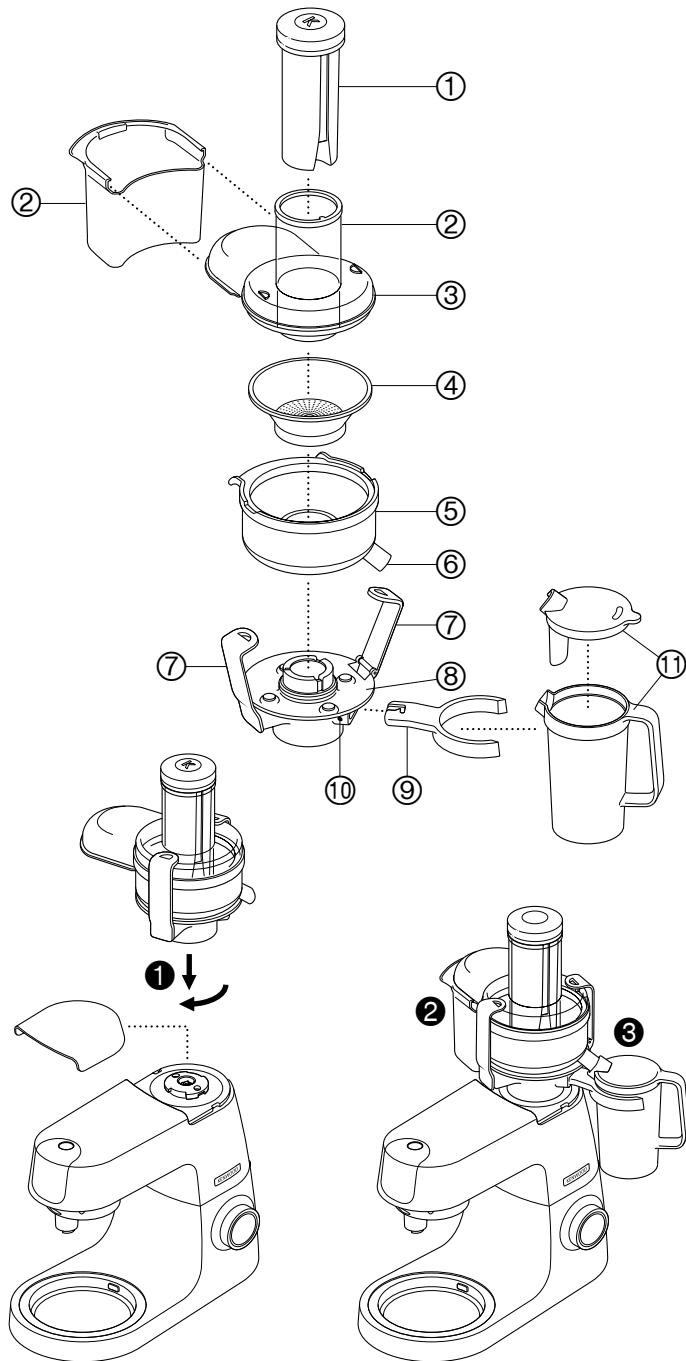
kenwoodworld.com

© Kenwood Ltd 2018



18539/5





safety

- Read these instructions carefully and retain for future reference.
- Remove all packaging and any labels.
- **Do not use the juicer if the filter basket is damaged.**
- The cutting blades on the base of the filter basket are very sharp, take care when handling and cleaning the filter basket.
- Only use the pusher supplied. Never put your fingers in the feed tube. Unplug before unblocking the feed tube.
- Before removing the attachment, switch off and wait for the filter basket to stop.
- Switch off and unplug:
 - before fitting or removing parts
 - before cleaning
 - after use.
- Do not touch moving parts.
- This machine will be damaged and may cause injury if the interlock mechanism is subjected to excessive force.
- Should excessive vibration occur when using this attachment, either adjust the speed or stop the machine, unplug and clear any blockage.

Refer to your main kitchen machine instruction book for additional safety warnings.

Use the juice extractor for extracting juice from fruit and vegetables.

- This appliance conforms to EC Regulation 1935/2004 on materials and articles intended to come into contact with food.

before using for the first time

- 1 Wash the parts: see 'Cleaning'.

key

- ① pusher
- ② feed tube
- ③ lid
- ④ filter basket
- ⑤ bowl
- ⑥ juice spout
- ⑦ interlocking latches
- ⑧ base unit
- ⑨ juice jug holder
- ⑩ release button for juice jug holder
- ⑪ juice jug and lid
- ⑫ pulp collector

to use your juice extractor

preparing food

- Remove stones (plums, peaches, cherries etc).
- Remove tough skins (melons, pineapples, cucumbers, potatoes etc).
- Soft-skinned and other foods just need washing (apples, pears, carrots, radishes, lettuce, cabbage, parsley, spinach, grapes, strawberries, celery etc).
- Citrus peel - Peel and remove the white pith, otherwise the juice may be bitter. For best results we recommend using the citrus juice attachment which is available separately.

assembly and use

- Remove high speed outlet cover before assembling unit.
- 1 Place the bowl onto the base unit so that the juice spout fits into the groove of the base unit.
 - 2 Fit the filter basket into the bowl, ensuring the ▼ arrows on the underside of the filter basket line up with the ▼ arrows on the top of the base unit.
 - 3 Fit the lid, ensuring that the lid extension fits over the bowl lip.
 - 4 Lock into position by moving the interlocking latches out from the base, then lifting and clipping over

the mouldings on the top of the lid. Push the latches in at the base to secure into position.

- 5 Attach the juicer to the mixer, turning until it locks into position **1**.
- 6 Slide the pulp collector into the lid **2**.
- 7 Push the juice jug holder into its housing, it will automatically lock in place.
- 8 Fit the lid to the juice jug, then fit into its holder **3**.
- 9 If necessary cut the food to fit the feed tube.
- 10 Place the food in the feed tube. For optimum performance use speed 2 and **never exceed speed 2**. Push the food down evenly with the pusher ensuring that the groove in the pusher aligns with the tab on the rim of the feed tube - **never put your fingers in the feed tube**.
- 11 Switch off and unplug.
- 12 To dismantle the juicer reverse the assembly procedure. The juice jug holder may be removed by pressing the release button if required.
- 13 Refit the high speed outlet cover after use.

important

- If the juicer starts to vibrate, switch off and empty the pulp from the filter basket. (The juicer vibrates if the pulp becomes unevenly distributed).
- Switch off and empty the pulp and juice containers regularly during use.

hints

- Insert soft food slowly to get the most juice.
- Vitamins disappear - the sooner you drink your juice, the more vitamins you'll get.
- If you need to store the juice for a few hours put it in the fridge. It will keep better if you add a few drops of lemon juice.

- Don't drink more than three 230mls (8 fl.oz.) glasses of juice a day unless you're used to it.
- Dilute juice for children with an equal amount of water.
- Juice from dark green (broccoli, spinach etc) or dark red (beetroot, red cabbage etc) vegetables is extremely strong, so always dilute it.
- Fruit juice is high in Fructose (fruit sugar), so people with diabetes or low blood sugar should avoid drinking too much.

cleaning

- Always switch off and unplug before removing attachment from mixer.
- Dismantle the attachment fully before cleaning.
- For easier cleaning always wash the parts immediately after use.
- Never let the base unit get wet.
- Some foods, eg carrot, will discolour the plastic. Rubbing with a cloth dipped in vegetable oil helps remove discolouring.

base unit

- Wipe with a damp cloth, then dry.

filter basket

- Clean using a soft brush.
- **Check the filter basket regularly for signs of damage. Do not use if the filter basket is damaged. Refer to "service and customer care"**

other parts

- Wash, then dry. Don't wash any part in the dishwasher.

service and customer care

UK only

If you need help with:

- using your attachment
- servicing or repairs (in or out of guarantee)

☎ call Kenwood Customer Care on **023 9239 2333**.

● spares and attachments

☎ call 0844 557 3653.

other countries

- If you experience any problems with the operation of your attachment, before requesting assistance visit www.kenwoodworld.com.
- Please note that your product is covered by a warranty, which complies with all legal provisions concerning any existing warranty and consumer rights in the country where the product was purchased.
- If your Kenwood product malfunctions or you find any defects, please send it or bring it to an authorised KENWOOD Service Centre. To find up to date details of your nearest authorised KENWOOD Service centre visit www.kenwoodworld.com or the website specific to your Country.
- Designed and engineered by Kenwood in the UK.
- Made in China.



**IMPORTANT INFORMATION
FOR CORRECT DISPOSAL
OF THE PRODUCT IN
ACCORDANCE WITH THE
EUROPEAN DIRECTIVE ON
WASTE ELECTRICAL AND
ELECTRONIC EQUIPMENT
(WEEE)**

At the end of its working life, the product must not be disposed of as urban waste.

It must be taken to a special local authority differentiated waste collection centre or to a dealer providing this service.

Disposing of a household appliance separately avoids possible negative consequences for the environment and health deriving from inappropriate disposal and enables the constituent materials to be recovered to obtain significant savings in energy and resources. As a reminder of the need to dispose of household appliances separately, the product is marked with a crossed-out wheeled dustbin.