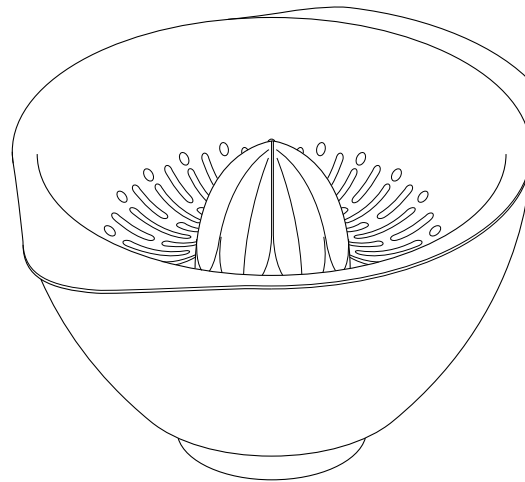


KENWOOD

English

AT312

instructions



Kenwood Ltd

New Lane
Havant
Hampshire
PO9 2NH

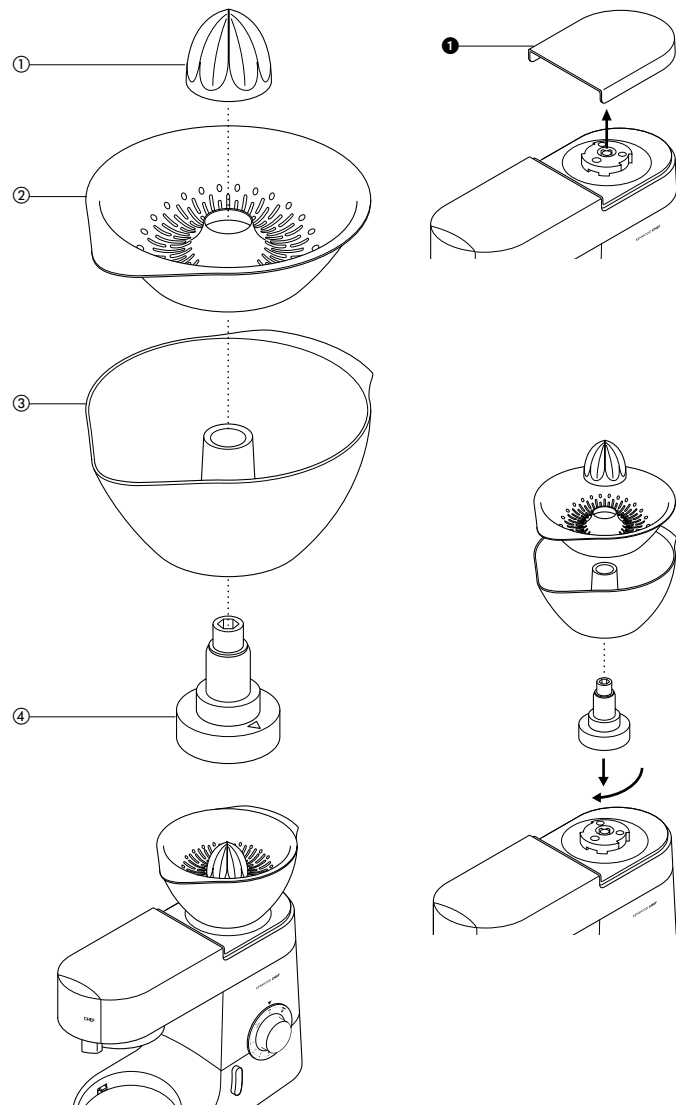
kenwoodworld.com

© Kenwood Ltd 2018



57469/3





safety

- Read these instructions carefully and retain for future reference.
- Remove all packaging and any labels.
- Unplug the appliance before fitting or removing parts or cleaning.

Refer to your main kitchen machine instruction book for additional safety warnings.

Use your citrus juicer to squeeze the juice from citrus fruits, eg oranges, lemons, limes, grapefruits.

- This appliance conforms to EC Regulation 1935/2004 on materials and articles intended to come into contact with food.

before using for the first time

Wash the cone, sieve and bowl.

key

- ① cone
- ② sieve
- ③ bowl
- ④ connector

to use your citrus juicer

- 1 Remove the high speed outlet cover ①.
- 2 Place connector onto the outlet with the triangle ▽ facing towards you and turn clockwise until it locks into position.
- 3 Place the bowl onto the connector.
- 4 Place the sieve in the bowl.
- 5 Fit the cone.
- 6 Cut the fruit in half. Switch to speed 2-3 and press and hold down the fruit onto the cone.
- 7 Switch off. Lift off the cone and sieve, then remove the bowl before pouring.
- 8 Unplug after use.

cleaning

Wash the cone, sieve and bowl by hand, then dry thoroughly. Alternatively wash in the dishwasher (top rack only). Never immerse the connector in water, wipe over with a damp cloth.

service and customer care

UK only

If you need help with:

- using your attachment
- servicing or repairs (in or out of guarantee)

☎ call Kenwood Customer Care on **023 9239 2333**.

spares and attachments

☎ call 0844 557 3653.

other countries

- If you experience any problems with the operation of your attachment, before requesting assistance visit www.kenwoodworld.com.
- Please note that your product is covered by a warranty, which complies with all legal provisions concerning any existing warranty and consumer rights in the country where the product was purchased.

- If your Kenwood product malfunctions or you find any defects, please send it or bring it to an authorised KENWOOD Service Centre. To find up to date details of your nearest authorised KENWOOD Service centre visit www.kenwoodworld.com or the website specific to your Country.
- Designed and engineered by Kenwood in the UK.
- Made in China.



**IMPORTANT INFORMATION
FOR CORRECT DISPOSAL
OF THE PRODUCT IN
ACCORDANCE WITH THE
EUROPEAN DIRECTIVE ON
WASTE ELECTRICAL AND
ELECTRONIC EQUIPMENT
(WEEE)**

At the end of its working life, the product must not be disposed of as urban waste.

It must be taken to a special local authority differentiated waste collection centre or to a dealer providing this service.

Disposing of a household appliance separately avoids possible negative consequences for the environment and health deriving from inappropriate disposal and enables the constituent materials to be recovered to obtain significant savings in energy and resources. As a reminder of the need to dispose of household appliances separately, the product is marked with a crossed-out wheeled dustbin.